

MX 75 – 3” DIGITAL FLOW METERS

SUITABLE FOR FLOW RANGE 20–733L/MIN



MX75F-1SE
Aluminium body with LCD register

Output variations:



B –Ex approved (Ex ia)
Intrinsically Safe –NPN
N –Ex approved (Ex ia)
Intrinsically Safe –NAMUR
T –High Temperature
Max temp–150°C



F –ER
LCD Display (17mm)
G–ERA
LCD Display (17mm)
H–ERB
LCD Display (17mm)
Batch controller



D –PR
LCD Display (12mm)
E –PRA
LCD Display (12mm)
with outputs



A –Standard Pulse
Reel/Hall Effect
I –Standard Pulse
Reel/Reed Effect
J –Standard Pulse
Hall/Hall Effect
K –High Resolution
Hall NPN

The MX75 3” Digital Flow Meters are suitable for flows between 20–733L/min. The 3” Digital Flow Meters have an accuracy of $\pm 0.5\%$ and provides exceptional levels of reliability and durability.

SPECIFICATIONS

	MX75F		MX75S	
Materials of Construction Meter Body Rotor Seals	Cast Aluminium(6061)		Cast Aluminium(6061)	
	Aluminium(6061)		Aluminium(6061)	
	Fluorocarbon(FKM)		PTFE encapsulated(FEP)	
Design Specifications Process Connections	Threaded 3” G 3” NPT	Flange ANSI CLASS 150 DIN PN16 J IS 10k	Threaded 3” G 3” NPT	Flange ANSI CLASS 150 DIN PN16 J IS 10k
Technical Specifications Flow rate Operating Temperature Range* Max. Operating Pressure** Accuracy Repeatability Nominal K-Factor	<5cP 60–600L/min 17–170USG/min	>5cP 20–733L/min 5–194USG/min	<5cP 60–600L/min 17–170USG/min	>5cP 20–733L/min 5–194USG/min
	–40 –120°C –40 –248°F		–40 –120°C –40 –248°F	
	175 psi 12 bar		175 psi 12 bar	
	$\pm 0.5\%$		$\pm 0.5\%$	
	$\pm 0.03\%$		$\pm 0.03\%$	
	2.58 Pulses/L		2.58 Pulses/L	

*Temperature based on standard pulse output –subject to change dependant on rotor and output type, contact Macnaught technical support for further investigations

**Pressure rating subject to change as per flange rating



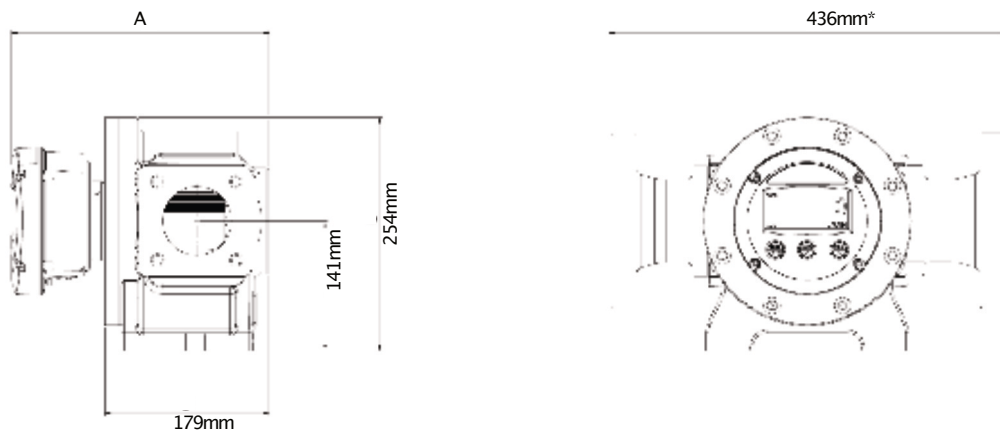
www.intercontrol.eu
+31 (0) 26 4425 204
info@intercontrol.eu

OUTPUTS TYPES

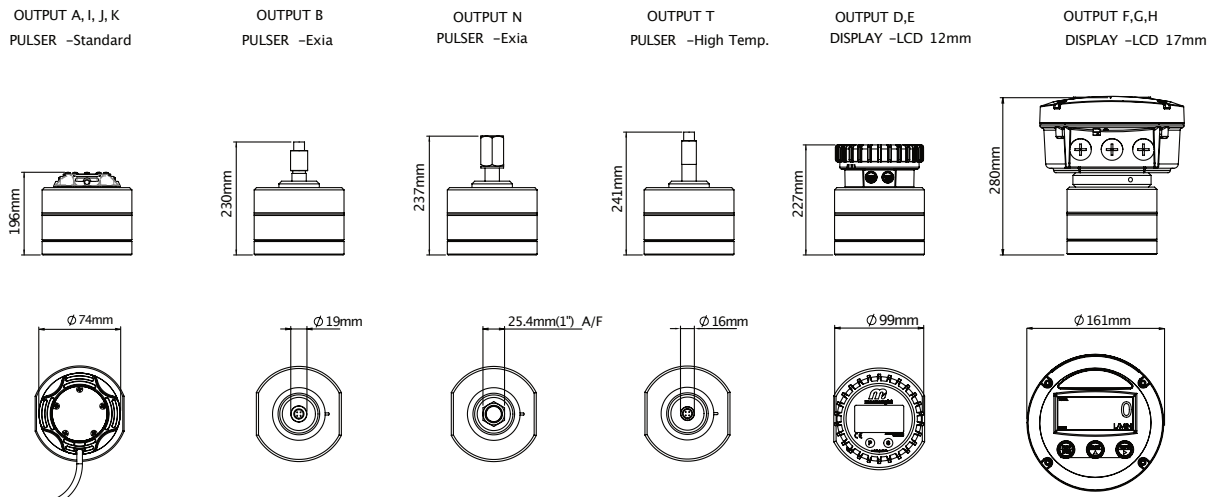
	DESCRIPTION	SWITCH TYPE	OUTPUT TYPE	MX75F	MX75S
X	No Output	-	No Output	●	●
A	Standard Pulse	Reed /Hall (NPN)	Pulse (1m flying lead)	●	●
B	Ex approved (Ex ia)	Hall (NPN)	Pulse (2mDIN cable)	—	●
D	PR (LCD 12mmdisplay)	-	Display 12mm	●	●
E	PRA (LCD 12mmdisplay)	-	Display 12mm,4-20mA output,Pulse	●	●
F	ER (LCD 17mmdisplay)	-	Display 17mm	●	●
G	ERA (LCD 17mmdisplay)	-	Display 17mm,4-20mA output,Pulse	●	●
H	ERB (LCD 17mmdisplay)	-	Display 17mm + Batch Control	●	●
N	ExApproved (Exia NAMUR)	NAMUR	Pulse (2mDIN cable)	—	●
T	High Temperature	Hall (NPN)	Pulse	✗	●
I	Reed/Reed	Reed/Reed	Pulse (1m flying lead)	—	—
J	Hall/Hall	Hall/Hall	Pulse (1m flying lead)	—	—
K	High Resolution (omnipolar)	Hall (NPN)	Pulse (1m flying lead)	—	—

● Available ✗ Not Available S Only with stainless steel rotors — Consult Macnaught Technical regarding availability

DIMENSIONS



PULSER AND DISPLAY HEIGHT -A



*Length subject to change refer to appendix B (pg. 88) for full dimension variations