

MX 40 – 1½” DIGITAL FLOW METERS

SUITABLE FOR FLOW RANGE 10–250L/MIN



MX40P-1SE
Stainless steel body with LCD register

Output variations:



B -Ex approved (Ex ia)
Intrinsically Safe –NPN
N -Ex approved (Ex ia)
Intrinsically Safe –NAMUR
T - High Temperature
Max temp-150°C



F -ER
LCD Display (17mm)
G-ERA
LCD Display (17mm)
H-ERB
LCD Display (17mm)
Batch controller



D -PR
LCD Display (12mm)
E -PRA
LCD Display (12mm)
with outputs



A -Standard Pulse
Reel/Hall Effect
I -Standard Pulse
Reel/Reed Effect
J -Standard Pulse
Hall/Hall Effect
K -High Resolution
Hall NPN

The MX40 1½” Digital Flow Meters are suitable for flows between 10–250L/min. The 1½” Digital Flow Meters have an accuracy of +/-0.5% and provides exceptional levels of reliability and durability.

SPECIFICATIONS

	MX40F		MX40S		MX40P	
Materials of Construction Meter Body	Aluminium(6061)		Aluminium(6061)		Stainless Steel (316)	
Rotor	PPS		Aluminium(6061)		PPS Stainless Steel (316)	
Seals	Fluorocarbon(FKM)		PTFE encapsulated(FEP)		PTFE encapsulated(FEP)	
Design Specifications Process Connections	Threaded 1½” G 1½” NPT	Flange ANSI CLASS 150 DIN PN16 J IS 10k	Threaded 1½” G 1½” NPT	Flange ANSI CLASS 150 DIN PN16 J IS 10k	Threaded 1½” G 1½” NPT	Flange ANSI CLASS 150 DIN PN16 J IS 10k
Technical Specifications Flow rate	<5cP 15–235L/min 4–62USG/min	>5cP 10–250L/min 2.6–66USG/min	<5cP 15–235L/min 4–62USG/min	>5cP 10–250L/min 2.6–66USG/min	<5cP 15–235L/min 4–62USG/min	>5cP 10–250L/min 2.6–66USG/min
Operating Temperature Range*	–40 –80°C –40 –176°F		–40 –120°C –40 –248°F		–40 –80°C (150°C with high temp. rotors) –40 –176°F (302°F with high temp. rotors)	
Max. Operating Pressure**	1500 psi 103 Bar		1500 psi 103 Bar		1500 psi 103 Bar	
Accuracy	+/-0.5%		+/-0.5%		+/-0.5%	
Repeatability	+/-0.03%		+/-0.03%		+/-0.03%	
Nominal K-Factor	14.5 Pulses/L		14.5 Pulses/L		14.5 Pulses/L	

*Temperature based on standard pulse output –subject to change dependant on rotor and output type, contact Macnaught technical support for further investigations

**Pressure rating subject to change as per flange rating



www.intercontrol.eu
+31 (0) 26 4425 204
info@intercontrol.eu

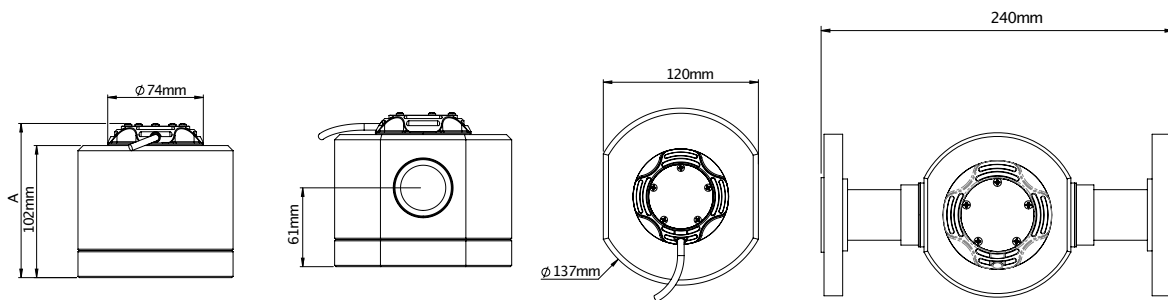
OUTPUTS TYPES

	DESCRIPTION	SWITCH TYPE	OUTPUT TYPE	MX40F	MX40S	MX40P
X	No Output	-	No Output	●	●	●
A	Standard Pulse	Reed /Hall (NPN)	Pulse (1m flying lead)	●	●	●
B	Ex approved (Ex ia)	Hall (NPN)	Pulse (2mDIN cable)	—	●	●
D	PR (LCD 12mmdisplay)	-	Display 12mm	●	●	●
E	PRA (LCD 12mmdisplay)	-	Display 12mm,4-20mA output,Pulse	●	●	●
F	ER (LCD 17mmdisplay)	-	Display 17mm	●	●	●
G	ERA (LCD 17mmdisplay)	-	Display 17mm,4-20mA output,Pulse	●	●	●
H	ERB (LCD 17mmdisplay)	-	Display 17mm + Batch Control	●	●	●
N	ExApproved (Exia NAMUR)	NAMUR	Pulse (2mDIN cable)	—	●	●
T	High Temperature	Hall (NPN)	Pulse	✗	S	S
I	Reed/Reed	Reed/Reed	Pulse (1m flying lead)	—	—	—
J	Hall/Hall	Hall/Hall	Pulse (1m flying lead)	—	—	—
K	High Resolution(omnipolar)	Hall (NPN)	Pulse (1m flying lead)	—	—	—

● Available ✗ Not Available S Only with stainless steel rotors — Consult Macnaught Technical regarding availability

MX-SERIES FLOWMETERS

DIMENSIONS



PULSER AND DISPLAY HEIGHT -A

